

# LED Headlights 90mm

made in RFT Technology



OEI. All bright.

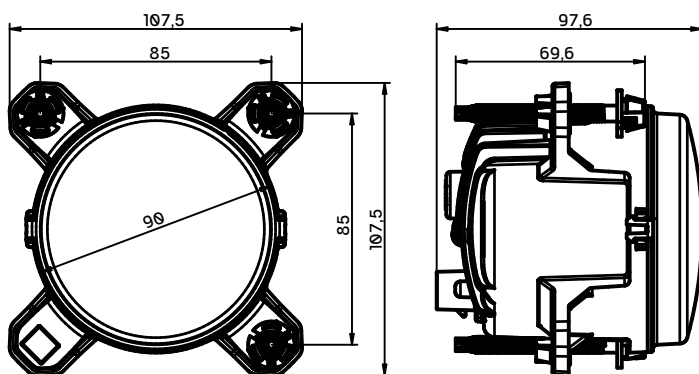
 OE  
Industry

# LED Headlights

made in RFT Technology

<b>Catalog number:</b>	OE112002694 - low beam OE122002695 - high beam
<b>Source of light:</b>	LED
<b>Voltage:</b>	12/24 V
<b>Dimensions:</b>	Ø90x97,6 mm
<b>Connector:</b>	Supereal 2 pin
<b>IP rating:</b>	IP69K
<b>Approvals:</b>	ECE R10, R112

Technical data



More light at lower purchase cost, fewer LEDs and less power consumption. Is it possible? These are the advantages of LED lights built with reflective technology - free FF fields (free Fields or free Forms) and RFT technology (Reflector Facing Technology).

The headlight reflector is made of many irregularly arranged mirrors. Their shape can be precisely computer-designed, this allows to use as much light emitted by LEDs as possible and to direct its beam in the best possible way.

RFT technology headlights illuminate a wider area of the roadside and give more friendly light, and as a result, greater comfort for the driver. All with fewer LEDs and less power consumption.